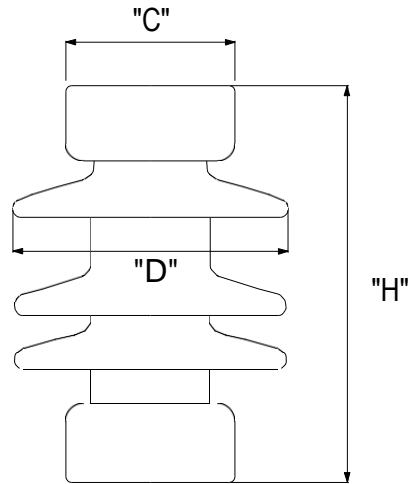


PORCELAIN STATION POST INSULATORS (ANSI Standard Type)

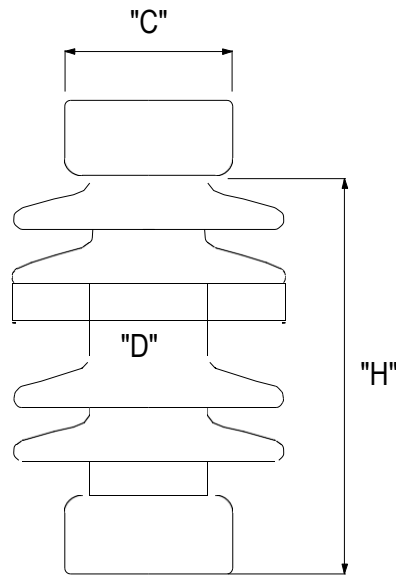


CHARACTERISTICS

Cat. No.		0701095-01	0701095-02	0701095-03
ANSI Class		202	222	-
Basic Impulse Insulation Level (KV)		95	95	95
Usual Line Voltage (KV)		7.5	7.5	7.5
Leakage distance/in (mm)		10-1/2(267)	10-1/2(267)	10-1/2(267)
Cantilever Strength/lb (KN)		2000(8.9)	4000(17.8)	8000(35.6)
Tensile Strength/lb (KN)		7000(31.1)	15000(66.7)	28000(124.5)
Torsional Strength/in-lb (N.m)		6000 (678)	12000(1356)	40000(4520)
Compression Strength /lb (KN)		10000(44.5)	20000(89)	40000(177.9)
Critical Impulse Flashover Voltage, Positive (KV)		105	105	105
Withstand Voltage	Low Frequency, Wet/KV	30	30	30
	Impulse/KV	95	95	95
Radio-Influence Voltage Data	Test Voltage to Ground/kV	5	5	5
	Maximum RIV at 1000 KHZ/ μ V	50	50	50
Height-"H"/in(mm)		7-1/2(190)	10(254)	10(254)
Shed diameter/in(mm)		6-1/2(165)	5-15/16(151)	7-1/4(184)
Bolt circle diameter/in(mm)		3	5	5
(4)Tapped holes, size/in		1/2-13	5/8-11	5/8-11
Cap diameter-"C"/in (mm)		4-1/4(108)	6-1/4(159)	6-1/4(159)
Net Weight/lb (kg)		15(6.7)	22(9.8)	33(14.7)

- Notes: 1. These units are not furnished with mounting bolts. State size at the time of inquiry if mounting bolts are required.
2. Light gray, chocolate brown or semi-conducting glaze is available.

PORCELAIN STATION POST INSULATORS (ANSI Standard Type)

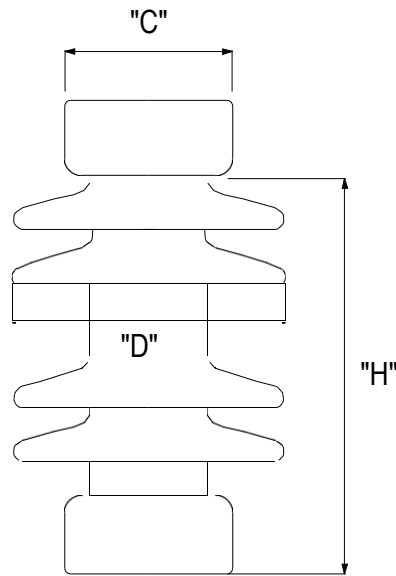


CHARACTERISTICS

Cat. No.		0701110-01	0701110-02	0701110-03
ANSI Class		205	225	-
Basic Impulse Insulation Level (KV)		110	110	110
Usual Line Voltage (KV)		15	15	15
Leakage distance/in (mm)		15-1/2(394)	15-1/2(394)	15-1/2(394)
Cantilever Strength/lb (KN)		2000(8.9)	4000(17.8)	8000(35.6)
Tensile Strength/lb (KN)		8500(37.8)	20000(89)	28000(124.5)
Torsional Strength/in-lb (N.m)		7000 (791)	14000(1582)	40000(4520)
Compression Strength /lb (KN)		10000(44.5)	20000(89)	40000(177.9)
Critical Impulse Flashover Voltage, Positive (KV)		125	125	125
Withstand Voltage	Low Frequency, Wet/KV	45	45	45
	Impulse/KV	110	110	110
Radio-Influence Voltage Data	Test Voltage to Ground/kV	10	10	10
	Maximum RIV at 1000 KHZ/ μ V	50	50	50
Height-"H"/in (mm)		10(254)	12(305)	12(305)
Shed diameter/in (mm)		6-1/2(165)	8(203)	7-11/16(195)
Bolt circle diameter/in (mm)		3(76)	5(127)	5(127)
(4)Tapped holes, size/in		1/2-13	5/8-11	5/8-11
Cap diameter-"C"/in (mm)		4-1/4(108)	6-1/4(159)	6-1/4(159)
Net Weight/lb (kg)		21(9.3)	43(19.1)	40(17.8)

- Notes: 1. These units are not furnished with mounting bolts. State size at the time of inquiry if mounting bolts are required.
2. Light gray, chocolate brown or semi-conducting glaze is available.

PORCELAIN STATION POST INSULATORS (ANSI Standard Type)

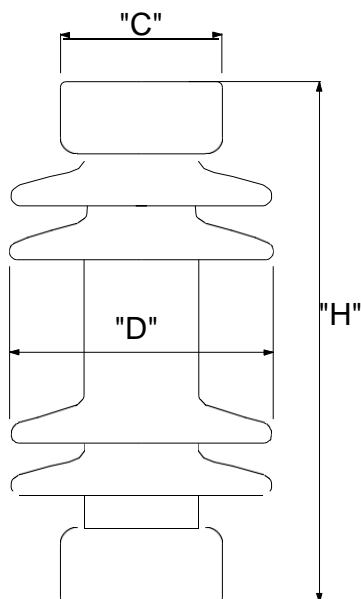


CHARACTERISTICS

Cat. No.		0701150-01	0701150-02	0701150-03
ANSI Class		208	227	-
Basic Impulse Insulation Level (KV)		150	150	150
Usual Line Voltage (KV)		23	23	23
Leakage distance/in (mm)		24(610)	24(610)	24(610)
Cantilever Strength/lb (KN)		2000(8.9)	4000(17.8)	8000(35.6)
Tensile Strength/lb (KN)		10000(44.5)	20000(89)	28000(124.5)
Torsional Strength/in-lb (N.m)		8000 (35.6)	16000(71.1)	40000(177.9)
Compression Strength /lb (KN)		10000(44.5)	20000(89)	40000(177.9)
Critical Impulse Flashover Voltage, Positive (KV)		170	170	170
Withstand Voltage	Low Frequency, Wet/KV	60	60	60
	Impulse/KV	150	150	150
Radio-Influence Voltage Data	Test Voltage to ground/kV	15	15	15
	Maximum RIV at 1000 KHZ/ μ V	100	100	100
Height-"H"/in (mm)		14(356)	15(381)	15(381)
Shed diameter/in (mm)		6-1/2(165)	9(229)	8-1/4(216)
Bolt circle diameter/in (mm)		3(76)	5(127)	5(127)
(4)Tapped holes, size/in		1/2-13	5/8-11	5/8-11
Cap diameter-"C"/in (mm)		4-1/4(108)	6-1/4(159)	6-1/4(159)
Net Weight/lb (kg)		26(11.6)	58(25.8)	54(24.0)

- Notes: 1. These units are not furnished with mounting bolts. State size at the time of inquiry if mounting bolts are required.
2. Light gray, chocolate brown or semi-conducting glaze is available.

PORCELAIN STATION POST INSULATORS (ANSI Standard Type)

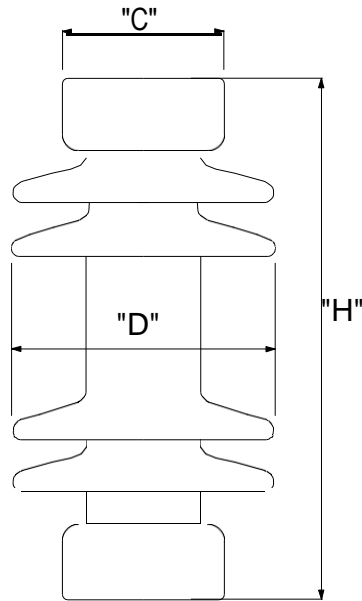


CHARACTERISTICS

Cat. No.		0701200-01	0701200-02	0701200-03
ANSI Class		210	231	-
Basic Impulse Insulation Level(KV)		200	200	200
Usual Line Voltage(KV)		34.5	34.5	34.5
Leakage distance/in(mm)		37(940)	37(940)	37(940)
Cantilever Strength/lb (KN)		2000(8.9)	4000(17.8)	8000(35.6)
Tensile Strength/lb (KN)		12000(53.4)	25000(111.2)	28000(124.5)
Torsional Strength/in-lb (N.m)		10000 (44.5)	20000(89)	40000(177.9)
Compression Strength /lb (KN)		15000(66.7)	30000(133.4)	60000(266.9)
Critical Impulse Flashover Voltage, Positive (KV)		225	225	225
Withstand Voltage	Low Frequency, Wet/KV	80	80	80
	Impulse/KV	200	200	200
Radio-Influence Voltage Data	Test Voltage to ground/kV	22	22	22
	Maximum RIV at 1000 KHZ/ μ V	100	100	100
Height-"H"/in (mm)		18(457)	20(508)	20(508)
Shed diameter/in (mm)		6-7/16(164)	9(229)	8-7/8(225)
Bolt circle diameter/in (mm)		3(76)	5(127)	5(127)
(4)Tapped holes, size/in		1/2-13	5/8-11	5/8-11
Cap diameter-"C"/in (mm)		4-1/4(108)	6-1/4(159)	6-1/4(159)
Net Weight/lb (kg)		32(14.2)	75(33.4)	80(35.6)

- Notes: 1. These units are not furnished with mounting bolts. State size at the time of inquiry if mounting bolts are required.
2. Light gray, chocolate brown or semi-conducting glaze is available.

PORCELAIN STATION POST INSULATORS (ANSI Standard Type)

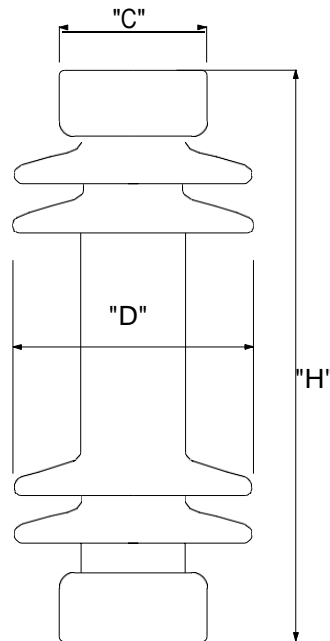


CHARACTERISTICS

Cat. No.		0701250-01	0701250-02	0701250-03
ANSI Class		214	267	-
Basic Impulse Insulation Level (KV)		250	250	250
Usual Line Voltage (KV)		46	46	46
Leakage distance/in (mm)		43(1092)	43(1092)	43(1092)
Cantilever Strength/lb (KN)		2000(8.9)	4000(17.8)	7000(31.1)
Tensile Strength/lb (KN)		14000(62.3)	25000(111.2)	28000(124.5)
Torsional Strength/in-lb (N.m)		12000 (53.4)	20000(89)	40000(177.9)
Compression Strength /lb (KN)		15000(66.7)	60000(266.9)	60000(266.9)
Critical Impulse Flashover Voltage, Positive (KV)		280	280	280
Withstand Voltage	Low Frequency, Wet/KV	100	100	100
	Impulse/KV	250	250	250
Radio-Influence Voltage Data	Test Voltage to ground/kV	30	30	30
	Maximum RIV at 1000 KHZ/ μ V	200	200	200
Height-"H"/in (mm)		22(559)	24(610)	24(610)
Shed diameter/in (mm)		7-1/4(184)	9(229)	8-7/8(225)
Bolt circle diameter/in (mm)		3(76)	5(127)	5(127)
(4)Tapped holes, size/in		1/2-13	5/8-11	5/8-11
Cap diameter-"C"/in (mm)		4-1/4(108)	6-1/4(159)	6-1/4(159)
Net Weight/lb (kg)		41(18.2)	85(37.8)	87(38.7)

- Notes: 1. These units are not furnished with mounting bolts. State size at the time of inquiry if mounting bolts are required.
 2. Light gray, chocolate brown or semi-conducting glaze is available.

PORCELAIN STATION POST INSULATORS (ANSI Standard Type)

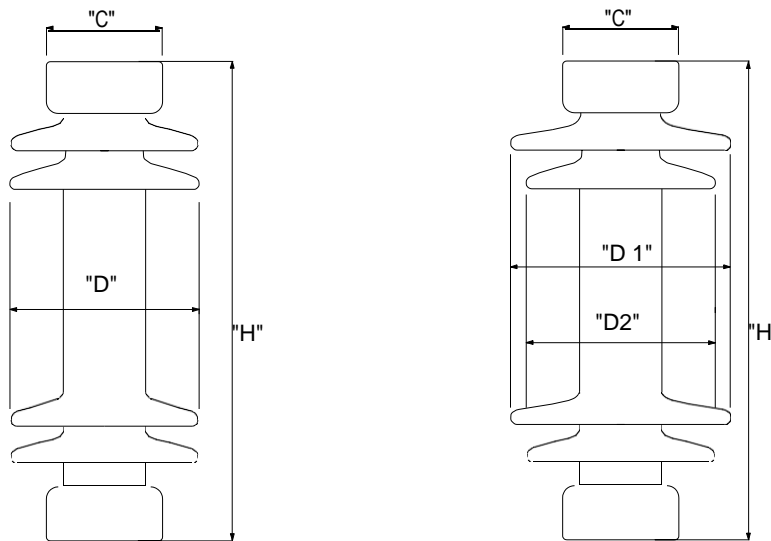


CHARACTERISTICS

Cat. No.		0701350-01	0701350-02	0701350-03
ANSI Class		216	278	-
Basic Impulse Insulation Level (KV)		350	350	350
Usual Line Voltage (KV)		69	69	69
Leakage distance/in (mm)		72(1829)	72(1829)	72(1829)
Cantilever Strength/lb (KN)		1500(6.7)	3000(13.3)	5000(22.2)
Tensile Strength/lb (KN)		16000(71.2)	25000(111.2)	28000(124.5)
Torsional Strength/in-lb (N.m)		15000 (66.7)	40000(177.9)	40000(177.9)
Compression Strength /lb (KN)		25000(111.2)	60000(266.9)	60000(266.9)
Critical Impulse Flashover Voltage, Positive (KV)		390	390	390
Withstand Voltage	Low Frequency, Wet/KV	145	145	145
	Impulse/KV	350	350	350
Radio-Influence Voltage Data	Test Voltage to ground/kV	44	44	44
	Maximum RIV at 1000 KHZ/ μ V	200	200	200
Height-"H"/in (mm)		30(762)	30(762)	32(813)
Shed diameter/in (mm)		7-3/4(197)	9-3/4(248)	12-7/8(327)
Bolt circle diameter/in (mm)		3(76)	5(127)	5(127)
(4)Tapped holes, size/in		1/2-13	5/8-11	5/8-11
Cap diameter-"C"/in (mm)		4-1/4(108)	6-1/4(159)	6-1/4(159)
Net Weight/lb (kg)		74(32.9)	110(48.9)	204(92.6)

- Notes: 1. These units are not furnished with mounting bolts. State size at the time of inquiry if mounting bolts are required.
 2. Light gray, chocolate brown or semi-conducting glaze is available

PORCELAIN STATION POST INSULATORS (ANSI Standard Type)

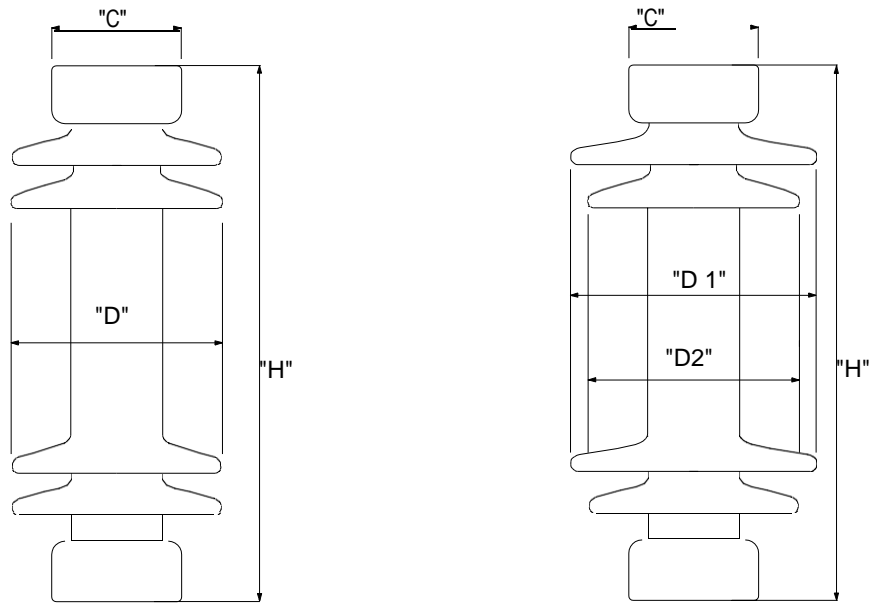


CHARACTERISTICS

Cat. No.		0701550-01	0701550-02	0701550-03
ANSI Class		286	287	-
Basic Impulse Insulation Level (KV)		550	550	550
Usual Line Voltage (KV)		115	115	115
Leakage distance/in (mm)		99(2515)	99(2515)	125(3175)
Cantilever Strength/lb (KN)		1700(7.6)	2600(11.6)	1700(7.6)
Tensile Strength/lb (KN)		20000(89)	25000(111.2)	20000(89)
Torsional Strength/in-lb (N.m)		40000 (177.9)	90000(400.3)	40000(177.9)
Compression Strength /lb (KN)		60000(266.9)	75000(333.6)	60000(266.9)
Critical Impulse Flashover Voltage, Positive (KV)		610	610	610
Withstand Voltage	Low Frequency, Wet/KV	230	230	230
	Impulse/KV	550	550	550
Radio-Influence Voltage Data	Test Voltage to ground/kV	73	73	73
	Maximum RIV at 1000 KHZ/μV	200	200	200
Height-"H"/in (mm)		45(1143)	45(1143)	45(1143)
Shed diameter/in (mm)		8-3/4(222)	8-7/8(225)	D1=9-1/4(235) D2=7-11/16(195)
Bolt circle diameter/in (mm)		5(127)	5(127)	5(127)
(4)Tapped holes, size/in		5/8-11	5/8-11	5/8-11
Cap diameter-"C"/in (mm)		6-1/4(159)	6-1/4(159)	6-1/4(159)
Net Weight/lb (kg)		142(63.2)	165(73.4)	154(68.5)

- Notes: 1. These units are not furnished with mounting bolts. State size at the time of inquiry if mounting bolts are required.
2. Light gray, chocolate brown or semi-conducting glaze is available.

PORCELAIN STATION POST INSULATORS (ANSI Standard Type)

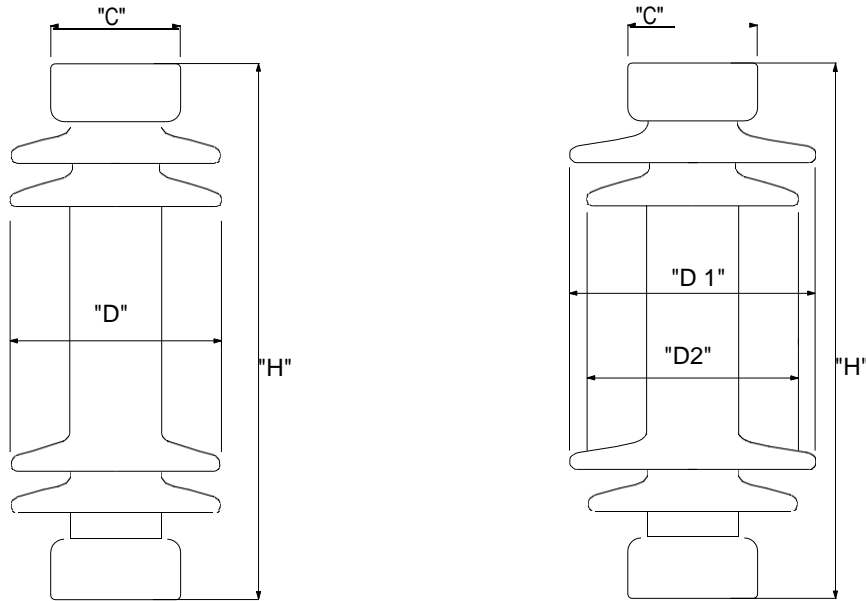


CHARACTERISTICS

Cat. No.	0701650-01	0701650-02	0701650-03	
ANSI Class	288	289	-	
Basic Impulse Insulation Level (KV)	650	650	650	
Usual Line Voltage (KV)	116	116	116	
Leakage distance/in (mm)	116(2946)	116(2946)	155(3937)	
Cantilever Strength/lb (KN)	1450(6.4)	2200(9.8)	1450(6.4)	
Tensile Strength/lb (KN)	20000(89)	25000(111.2)	20000(89)	
Torsional Strength/in-lb (N.m)	60000 (266.9)	90000(400.3)	60000(266.9)	
Compression Strength /lb(KN)	60000(266.9)	75000(333.6)	60000(266.9)	
Critical Impulse Flashover Voltage, Positive (KV)	710	710	710	
Withstand Voltage	Low Frequency, Wet/KV	275	275	275
	Impulse/KV	650	650	650
Radio-Influence Voltage Data	Test Voltage to ground/kV	88	88	88
	Maximum RIV at 1000 KHZ/ μ V	200	200	200
Height-"H"/in (mm)	54(1372)	54(1372)	54(1372)	
Shed diameter/in (mm)	8-13/16(224)	10(254)	D1=9-1/4(235) D2=7-11/16(195)	
Bolt circle diameter/in (mm)	5(127)	5(127)	5(127)	
(4)Tapped holes, size/in	5/8-11	5/8-11	5/8-11	
Cap diameter-"C"/in (mm)	6-1/4(159)	6-1/4(159)	6-1/4(159)	
Net Weight/lb (kg)	160(71.2)	225(100)	170(75.6)	

- Notes: 1. These units are not furnished with mounting bolts. State size at the time of inquiry if mounting bolts are required.
2. Light gray, chocolate brown or semi-conducting glaze is available.

PORCELAIN STATION POST INSULATORS (ANSI Standard Type)

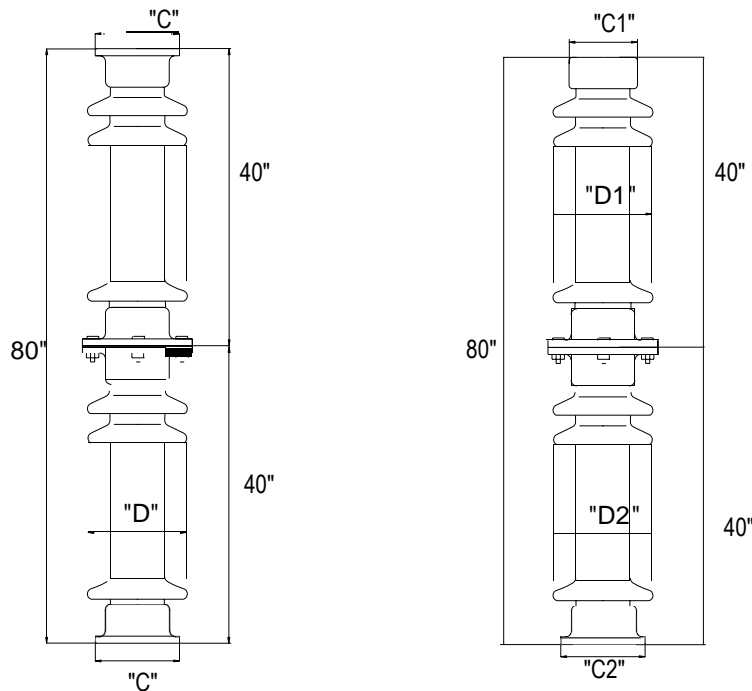


CHARACTERISTICS

Cat. No.		0701750-01	0701750-02	0701750-03
ANSI Class		291	295	-
Basic Impulse Insulation Level (KV)		750	750	750
Usual Line Voltage (KV)		161	161	161
Leakage distance/in (mm)		132(3353)	132(3353)	180(4572)
Cantilever Strength/lb (KN)		1200(5.3)	1850(8.2)	1200(5.3)
Tensile Strength/lb (KN)		20000(89)	25000(111.2)	20000(89)
Torsional Strength/in-lb (N.m)		60000 (266.9)	90000(400.3)	60000(266.9)
Compression Strength /lb (KN)		60000(266.9)	75000(333.6)	60000(266.9)
Critical Impulse Flashover Voltage, Positive (KV)		810	810	810
Withstand Voltage	Low Frequency, Wet/KV	315	315	315
	Impulse/KV	750	750	750
Radio-Influence Voltage Data	Test Voltage to ground/kV	103	103	103
	Maximum RIV at 1000 KHZ/ μ V	500	500	500
Height-"H"/in (mm)		62(1575)	62(1575)	62(1575)
Shed diameter/in (mm)		8-13/16(224)	10(254)	D1=9-1/4(235) D2=7-11/16(195)
Bolt circle diameter/in (mm)		5(127)	5(127)	5(127)
(4)Tapped holes, size/in		5/8-11	5/8-11	5/8-11
Cap diameter-"C"/in (mm)		6-1/4(159)	6-1/4(159)	6-1/4(159)
Net Weight/lb (kg)		170(75.6)	235(104.5)	195(86.7)

- Notes: 1. These units are not furnished with mounting bolts. State size at the time of inquiry if mounting bolts are required.
2. Light gray, chocolate brown or semi-conducting glaze is available.

PORCELAIN STATION POST INSULATORS (ANSI Standard Type)

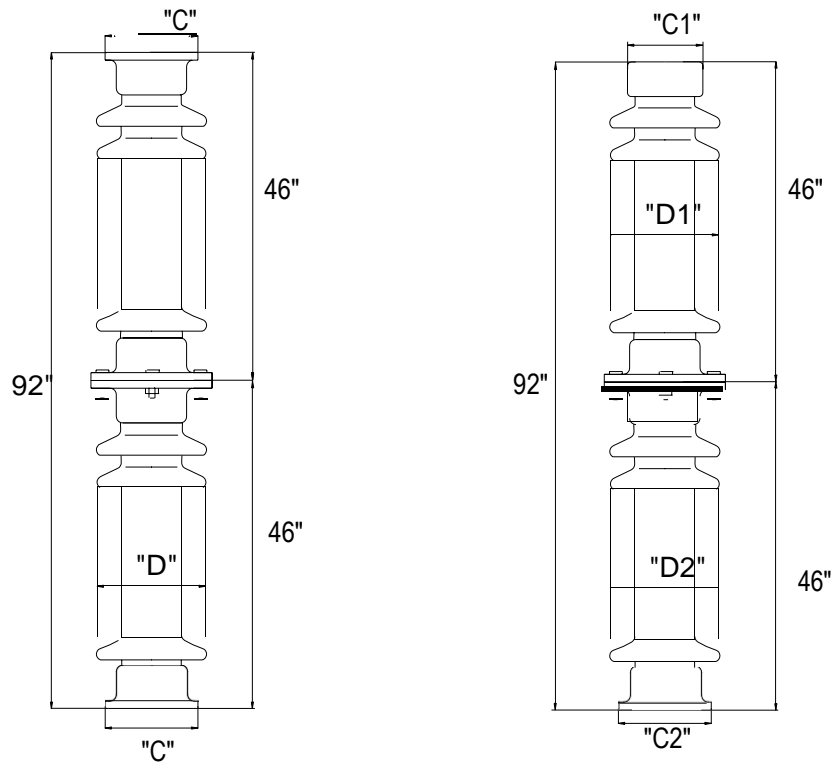


CHARACTERISTICS

Cat. No.		0701900-01	0701900-02	0701900-03
ANSI Class		304	308	308
Basic Impulse Insulation Level (KV)		900	900	900
Usual Line Voltage (KV)		230	230	230
Leakage distance/in (mm)		165(4191)	165(4191)	165(4191)
Cantilever Strength/lb (KN)		950(4.2)	1450(6.4)	1450(6.4)
Tensile Strength/lb (KN)		20000(89)	25000(111.2)	25000(111.2)
Torsional Strength/in-lb (N.m)		60000 (266.9)	90000(400.3)	90000(400.3)
Compression Strength /lb (KN)		60000(266.9)	90000(400.3)	75000(333.6)
Critical Impulse Flashover Voltage, Positive (KV)		1010	1010	1010
Withstand Voltage	Low Frequency, Wet/KV	385	385	385
	Impulse/KV	900	900	900
Radio-Influence Voltage Data	Test Voltage to ground/kV	146	146	146
	Maximum RIV at 1000 KHZ/ μ V	500	500	500
Shed diameter/in (mm)		9-1/2(241)	10-1/8(257)	D1=9-1/2(241) D2=10-1/8(257)
Bolt circle diameter/in (mm)		5(127)	5(127)	5(127)
(4)Tapped holes, size/in		5/8-11	5/8-11	5/8-11
Cap diameter-"C"/in (mm)		6-1/4(159)	6-1/4(159)	6-1/4(159)
Net Weight/lb (kg)		310(137.9)	375(166.8)	268(121.6)

- Notes: 1. These units are not furnished with mounting bolts. State size at the time of inquiry if mounting bolts are required.
2. Light gray, chocolate brown or semi-conducting glaze is available.

PORCELAIN STATION POST INSULATORS (ANSI Standard Type)



CHARACTERISTICS

Cat. No.	07011050-01	07011050-02	07011050-03	
ANSI Class	312	316	362	
Basic Impulse Insulation Level (KV)	1050	1050	1050	
Usual Line Voltage (KV)	230	230	230	
Leakage distance/in (mm)	198(5029)	198(5029)	198(5029)	
Cantilever Strength/lb (KN)	800(3.6)	1250(5.6)	2300(10.2)	
Tensile Strength/lb (KN)	20000(89)	25000(111.2)	40000(177.9)	
Torsional Strength/in-lb (N.m)	60000 (266.9)	90000(400.3)	20000(533.8)	
Compression Strength /lb (KN)	40000(177.9)	75000(333.6)	100000(444.8)	
Critical Impulse Flashover Voltage, Positive (KV)	1210	1210	1210	
Withstand Voltage	Low Frequency, Wet/KV	455	455	455
	Impulse/KV	1050	1050	1050
Radio-Influence Voltage Data	Test Voltage to ground/kV	146	146	146
	Maximum RIV at 1000 KHZ/ μ V	500	500	500
Shed diameter/in (mm)	9-7/8(251)	10-1/2(267)	10-7/8(276)	
Bolt circle diameter/in (mm)	5(127)	5(127)	7(178)	
(4)Tapped holes, size/in	5/8-11	5/8-11	3/4-11	
Cap diameter-"C"/in (mm)	6-1/4(159)	6-1/4(159)	8-3/8(293)	
Net Weight/lb (kg)	265(117.9)	341(151.7)	424(188.6)	

- Notes: 1. These units are not furnished with mounting bolts. State size at the time of inquiry if mounting bolts are required.
 2. Light gray, chocolate brown or semi-conducting glaze is available.